

INSTALLATION INSTRUCTIONS

– Green Box bathrooms

INSTALLATION INSTRUCTIONS / GREEN BOX BATHROOMS

1. IN GENERAL

The following installation instructions must be followed without deviations for the warranty on the cabins to apply. If it is necessary to deviate from the instructions, Green Box A/S must be contacted for approval prior to such. Inquiries must be made by email to Green Box A/S at info@greenbox.dk

2. WEIGHT

The cabins have a cast concrete floor and walls and ceilings in steel and gypsum fibre boards. A complete cabin weighs approx. 325 kg per m².

3. WAIVER

The cabins are delivered with a full load – in case of cancellation this must be done by email min. 7 working days before planned delivery schedule.

In case of postponement of deliveries, the seller must be informed min. 2 working days before planned delivery schedule.

4. ACCESS CONDITIONS

The cabins are delivered as standard on an open truck and are unloaded with a truck or crane.

It is the buyer's responsibility that the requirements for construction site road and delivery location are being met.

5. UNLOADING

1½ hours are set aside for unloading cabins per trailer.

Before unloading, it is important to check where the floor drains and drain pipes are located on the cabin, so that the installations are not damaged during hoisting.

If the cabins are unloaded with a forklift, it is important that the forks are equally long as the cabin is wide, so that you lift under the entire floor surface. Otherwise there is a risk of the floor breaking and the cabin being unusable! Carefully insert the forks under the cabin so that they reach all the way through and avoid hitting the cabin with the sled on the truck. The cabin is then carefully lifted of the trailer. It is important that the cabin is transported smoothly so that the bathroom avoids jolts and twists.

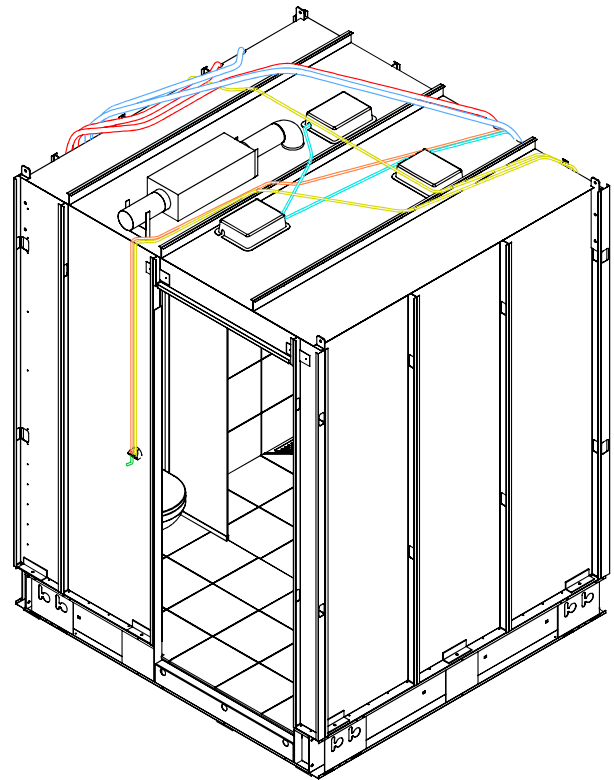
6. INTERMEDIATE STORAGE

If necessary, it is recommended to store cabins in a safe distance from the road and traffic routes on the construction site. It is important that other materials are not placed against walls, and that piles of snow or other materials are not pushed up against the cabins. Possible damage that can be connected to intermediate storage is the sole responsibility of the buyer.

The cabin must stand on a completely level and firm surface so that the cabin does not twist.

Under no circumstances must the roof/ceiling be stepped on.

The cabin can be left uncovered for up to 6 months on the construction site. Possible moisture damage to furniture as a result of storage for longer periods is the sole responsibility of the buyer.



INSTALLATION INSTRUCTIONS / **GREEN BOX BATHROOMS**
7. BLOCKING

Before hoisting in, the blocks are to be leveled out, according to delivered block-building plan. The brickwork must be completely horizontal ± 1 mm and finished with 10 mm supplied neoprene blocks. Place the block so that the outer edge of these levels with outer edge of the cabins bottom frame. (Neoprene is only to be placed under the steel frame).

“OK” marking on the bottom frame indicates the highest point on the floor/rail in the cabin. This corresponds to elevation 0 on the drawing.

There must be min. 20 mm of air between the floor deck and the cabin floor and at least 15 mm of air between the cabin walls and adjacent walls.

If the cabin is lowered between several fixed walls, it is recommended that min. 20 mm of air around the bathroom construction / walls.

8. HOISTING

Before hoisting, it must be ensured that recess for the floor drain is positioned correctly.

The cabin is attached to the lifting brackets in 4 corners, as shown in the pictures A+B. **GB lifting brackets must be used unconditionally. If they are not used, the warranty on the cabin is void and in the worst case, you risk dropping a cabin.**

Hooks in the yellow lifting bracket must not damage the wall cassettes. If the anchoring takes place right next to a joint in a wall cassette, we recommend anchoring with nylon straps in the yellow lifting brackets, so that the walls are not damaged. The brackets must be lifted vertically, meaning that the cabin may NOT be lifted without a cross or H-yoke. If you do not have access to a yoke, you can use min. 10 meter straps, so that the cabin ceiling and walls are not pressed together during hoisting.

In cases where lifting is carried out in lifting eyes in the roof/ceiling, yokes or 8 m long straps must still be used. It is important that all 4 straps are equally tight when lifting.

Carefully lift the cabin into place and avoid it hitting walls etc. during installation.

The cabin is slowly lowered into place the last 20 cm to ensure that the floor drain is not damaged and that the cabin hits the previously leveled fixing points.

The cabin may not be pushed into place, but is to be lifted into place. If you push on the sides of the cabin, there is a risk of the tiles breaking, and all warranty for the cabin ceases.

The cabin can be moved carefully on the deck with a "pallet lifter" if the forks are equally long as the cabin is wide. ALWAYS MAKE SURE UNDER CABIN DRAINS ARE NOT DAMAGED

If there is a need to adjust the cabin walls in to vertical, this must only be done by changing the block height under the bottom. The walls of the cabin must not be twisted.

The cabin can also be driven onto a pallet truck or special bag truck (which can be bought or rented from Green Box)

If there is damage to the cabin inside/outside and this is due to incorrect handling during installation of the cabin, GB will not pay for any repairs.



9. UNWRAPPING

We recommend that the plastic foil around the cabin be kept as clean as possible and as preferably until a "tight house" is obtained, to avoid ingress of water and use of the cabins before delivery.

We also recommend that the door plate remains fixed until the final door is installed. This protects the cabin from damage during the construction period.

10. HANDOVER TO BUILDING OWNER

5 working weeks before the buyer's final handover to building owner, the buyer must send a complete list of defects for all cabins that need to be repaired before handing over to the client. A digital platform is used as far as possible (Ajour, DALUX, ByggeWeb). Additional comments thereafter that can be imposed on the seller will be rectified after a 1-year review. (Please refer to www.tolerancer.dk "Normal" tolerance class).

If the project is delivered in divided stages, this must be agreed upon when ordering.

A delivery protocol is created and signed by both parties.

11. FINAL CLEANING

The cabin has been cleaned from the factory, where all dirt has been removed. The buyer must take care of final cleaning himself.

12. INSTALLATIONS

The cabins are pressure tested and all pipes emptied for water. It is ensured that other installations are rinsed out and completely free of impurities before the cabin is connected.

The cabins are supplied with closed taps and closed rod valves in cisterns. Valves are opened by the plumbing contractor before delivery.

Rings on fittings can become loose during transport and must be tightened before commissioning by the plumbing contractor.

It is important that both domestic water and the heating installation are vented before use. If this does not happen, the installations will not function optimally.

13. POTENTIAL EQUALIZATION

The rionet is connected to walls and ceilings, meaning that all steel is connected.

When equipotential bonding is required, this can be done anywhere in the cabin.

14. INSTALLATIONS MADE IN WALLS INSIDE THE CABIN

The walls are made of 1 mm steel cassettes which are fully glued to 12.5 mm gypsum fibre board. The gypsum fibre board is on the inside of the cabin, so there mounting is possible all over the walls. It is possible to either screw directly with a self-tapping screw or drill with a small drill through the plaster and steel cassette. Do not use screws that go further than 20 mm into the walls to avoid hitting installations. Before drilling and screwing in walls, it must be ensured that screwing zones are free of cables, pipes and hoses. All drawings can be downloaded from the QR code mounted on the cabin by the installation shaft.

On the outside of the cabin, plaster can be installed with general plaster screws, either directly on the bend of the steel profile or on horizontal formwork. Pay special attention to water hoses and drains so that the installations are not screwed on.

15. QUALITY ASSURANCE MADE AT THE FACTORY

The cabins are quality assured at the factory. The buyer is given a password for the system and can scan the code in the installation cabinet at any time. Here, the entire process in the cabin can be followed, including any deviations that may occur in the production process.

Drawings and DV etc. can be seen on the QR code for each cabin.

16. QUALITY ASSURANCE MADE ON THE CONSTRUCTION SITE

We recommend that the following points be included in quality assurance on the construction site.

- Before installation, check recesses for drains and pipes
- Check that the cabin is positioned correctly with min. 15/20 mm air to adjacent walls
- Check that the floor drain under the cabin is not damaged during installation
- Check that the height of the cabin is correct in relation to the adjacent floor
- Check that walls are straight leveled
- Check that the packaging is not damaged

Alternative hoisting methods - see images E, F and G.



WE ARE READY TO ADVISE YOU

If you have any questions or need guidance, you are always welcome to contact us.

As experts in prefabricated bathrooms, we offer professional advice that can help you create the best possible bathroom solution for your building project and steer your project safely to completion.

Green Box A/S

Vævervej 30
7490 Aulum
Denmark

Telephone: +45 7311 5700
VAT no: 36418281

info@greenbox.dk
www.greenbox.dk